

TXL7-96-930-Q

Made in
USA

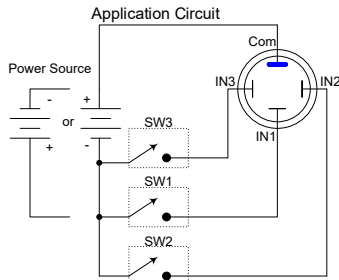


- 7 unique sounds one alarm
- Indoor or Outdoor Use
- NEMA 4X and IP68 Rated
- Mounts in 1.5 inch Panel Hole
- Tamper Resistant Front-Mounting Case with Threaded Attachment Ring

Floyd Bell's new Turbo TXL7 alarm is capable of seven unique, attention getting tones all in one alarm. (see tone chart below) Each tone can be electrically selected via 4 input connections to the alarm. To make wiring easy and convenient, the inputs are non polarized. The common connection can be ground or Positive. (see application circuit) The new Turbo XL series features lower frequency and louder output than most conventional piezo alarms. The lower frequency and loud output ensure that this alarm will be heard even in noisy environments.

SPECIFICATIONS

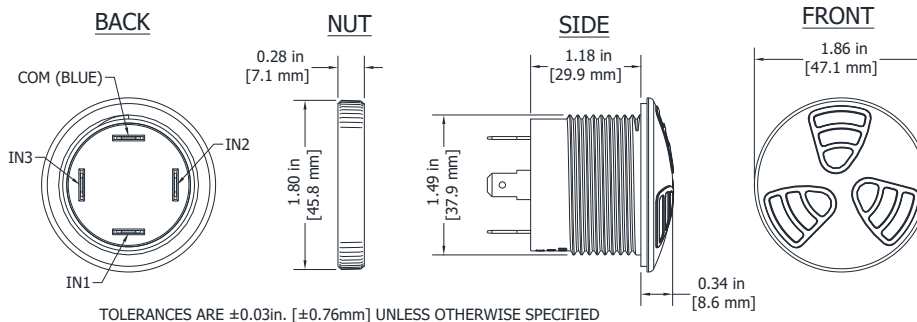
Operating Mode: 1 of 7 tones. Constant, Beep, Siren, Warble, Chime, Whoop, Ringer.
Operating Voltage: 9-30 Vdc
Nominal Operating Voltage: 24 Vdc
Resonant Frequency: 1.8Khz±500 Hz.
Tone Pulse Rate: See chart for nom pulse rate ±25% Cycles per second
Typical Operating Current: 15 mA at 9 Vdc
 45mA at 30 Vdc
Typical Sound Pressure: 100±5 dB(A), at 9 Vdc, at 24 inches (61 cm), at 25°C
 108±5 dB(A), at 30 Vdc, at 24 inches (61 cm), at 25°C.
Termination: Four Quick Connect Blades, 0.25 (6.3) Width, 0.032 (0.8) Thickness
Control Inputs: The Control inputs are universal polarity and are used to select which tone the alarm plays. The Common connection can be positive with negative switch inputs or negative with positive switch inputs.
Termination Strength: Pull test with a maximum of 22 pounds (10 kg) load
Operating Temperature: -30°C to +65°C.
Storage Temperature: -40°C to +85°C.
Surge Voltage: 20% over maximum rated voltage for less than 5 minutes.
Construction Materials: Case- Plastic "NORYL® N-190", Flame Retardant UL 94V-0, Black, UL94V-0
 Potting- 2 parts epoxy resin or silicone, black
 NEMA 4X Gasket – 0.125" Thick, 60 Durometer Neoprene
 ASTM B117 Certified- Withstands exposure to salt spray for 300 hours
 IP 68 Certified– Withstands water submergence and dust exposure
 Humidity– Withstands 95% relative humidity at +40°C continuously for 100 hours.
 Vibration- Withstands vibration between 0 and 55 Hz. on all axes.
 10 years under normal operating conditions.
Life Expectancy: For a period of two years from the date of manufacture under normal operating conditions.
Warranty:



Tone Chart

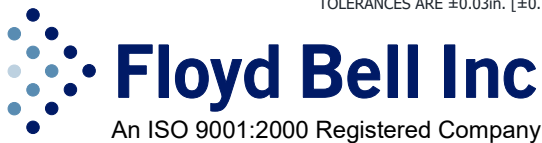
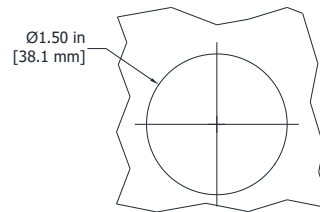
IN3	IN2	IN1	Sound	Rate	Frequency
0	0	0	Off	X	X
0	0	1	Constant	X	1800 Hz
0	1	0	Beep	2 Hz	1800 Hz
0	1	1	Siren	3 Hz	1600 - 2000 Hz
1	0	0	Warble	2 Hz	1700 - 1800 Hz
1	0	1	Chime	1 Hz	1800 Hz
1	1	0	Whoop	3 Hz	1600 - 2000 Hz
1	1	1	Ringer	10 Hz	1700 - 1800 Hz

DIMENSIONS



TOLERANCES ARE ±0.03in. [±0.76mm] UNLESS OTHERWISE SPECIFIED

MOUNTING HOLE



720 Dearborn Park Lane • Columbus, OH 43085
 Tel: 888-FLOYD-BELL • Fax: 614/291-0823
 www.floydbell.com

Revision: 5.19